

**ecostore**

# 1 Glass Door Digital Freezer, 670lt (-20/-15), AISI 304 Remote

ITEM # \_\_\_\_\_

MODEL # \_\_\_\_\_

NAME # \_\_\_\_\_

SIS # \_\_\_\_\_

AIA # \_\_\_\_\_


**725348 (REX7IGFR)**

 1-glass door Freezer  
 670lt, -20-15°C, digital, AISI  
 304, remote

## Short Form Specification

### Item No.

Full glass door freezer with internal and external structure in 304 AISI stainless steel; external back panel in galvanized steel and bottom panel in anti-corrosive material. Digital control with cabinet temperature display and setting and manual activation of defrost cycle. Fully compliant HACCP digital controls include visible alarms. Optimized back to front forced air flow provides even temperature distribution and fast cooling in any conditions. Fitted with 75 mm-thick cyclopentane insulating foam. Door features lock and door microswitch to switch off the fan when the door is opened. Hidden evaporator to guarantee higher storage capacity and less corrosion problems. Built-in refrigeration unit; ventilated operation; internal back light; automatic defrost and evaporation of defrost water. Operating temperature: -20/-15 °C. Integrated RS485 port to facilitate connection to a remote computer and integrated HACCP systems.

## Main Features

- Automatic defrost.
- Large storage area suitable to contain 2/1 GN grids or shelves on anti-tilt runners.
- Cabinet fitted with up to 75 mm thickness of cyclopentane insulation for best insulating performance with 100% environmental protection (thermal conductivity: 0,020 W/m\*K).
- Hidden evaporator thus guaranteeing higher storage capacity and less corrosion problems.
- Internal structure with numerous charging positions available to host grids, ensuring higher net capacity and a greater storage space.
- 60 mm-thick insulation covering the evaporator can be easily removed with a single operation.
- Rilsan coated grids for improved protection.
- Optimized back to front forced air flow provide even temperature distribution and fast cooling in any conditions.
- Connectivity ready for real time access to connected appliances from remote and data monitoring (requires optional accessory).
- Equipped with single phase electrical cable and Schuko plug for easy and fast installation.
- Integrated RS485 port to facilitate connection to a remote computer and integrated HACCP systems.
- Easy serviceability thanks to the intuitive control panel with access via app.
- Large digital white-digit display with cabinet temperature display and setting, activation of turbo frost cycle (to rapidly cool warm loads) and possibility to activate manually the defrost cycle.
- Tropicalized unit.

## Construction

- Constructed from the highest quality AISI 304 Stainless steel.
- The rounded internal corners, the easily removable runners and grids allow for ease of cleaning and high hygiene standards.
- Easy access to the main components for maintenance.
- Stainless steel runners and supports easily disassembled.
- Anti-corrosion bottom avoids any damage that may be caused to the cabinet by aggressive detergents employed to clean the floors.
- Doors are self-closing and can be fully opened up to 180°.
- Lockable door.
- Mounted on adjustable Stainless steel feet, with castors as an option.

## Sustainability

- Door switch stops the fan when door is opened to avoid cold air exiting the cell, thus saving energy.
- Automatic evaporation of the defrosting water by hot gas on the top for energy saving.
- Removable triple-chamber balloon magnetic



APPROVAL: \_\_\_\_\_

gasket to improve insulation and reduce energy consumption and ease of cleaning.

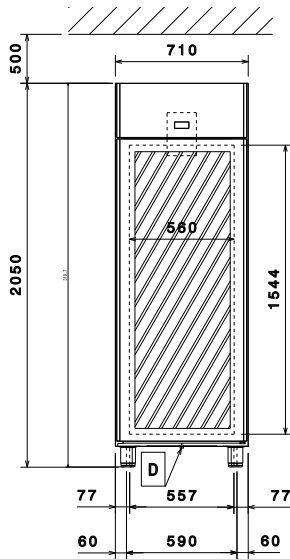
### Included Accessories

- 3 of 2/1GN grey rilsan grid with 2 runners PNC 881020

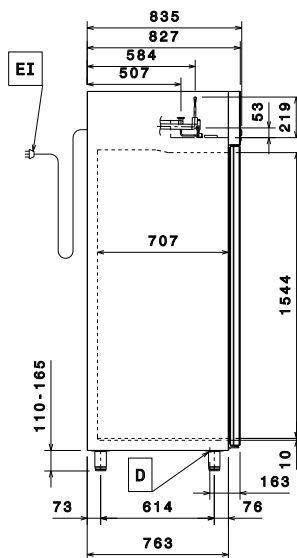
### Optional Accessories

- 2 stainless steel runners for refrigerated cabinets - (Marine) PNC 880242
- Set of 8 GN1/1 PVC containers for fish PNC 880243
- Spacer for 670 lt and 1430 lt refrigerated cabinets PNC 880248
- Pedal opening for cabinets PNC 880324
- Ethernet connectivity kit IJF for Refrigeration PNC 880685
- 1/1GN plastic container with false bottom PNC 880705
- Kit of 10 pairs of runners and 4 tray supports to fit pastry trays (400x600mm) PNC 881003
- 2/1GN grey rilsan grid PNC 881004
- 2/1GN aisi 304 stainless steel grid PNC 881016
- 2/1GN 304 AISI stainless steel grid with 2 runners PNC 881018
- 2/1GN grey rilsan grid with 2 runners PNC 881020
- Set of 2 stainless steel runners for 670/1430lt refrigerators and freezers PNC 881021
- 2/1GN pvc container with lid and 2 runners PNC 881039
- 2/1GN perforated shelf PNC 881042
- 1/1GN rilsan steel wire basket h=150mm PNC 881043
- 2/1GN grey rilsan basket+2 runners h=150mm PNC 881047
- Remote unit for 670lt cabinets and freezer counters - 2 and 3 compartments PNC 881123
- Glass door protection kit for Glass Door Cabinets PNC 881163

Front

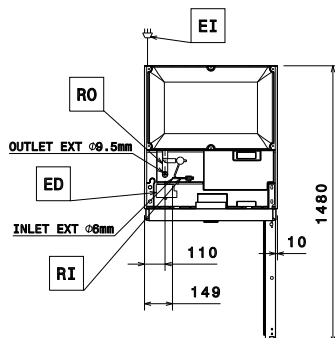


Side



EI = Electrical inlet (power)  
 RI = Refrigerant Inlet  
 RO = Refrigerant Outlet

Top



### Electric

Supply voltage:  
 725348 (REX71GFR) 220-240 V/1 ph/50/60 Hz  
 Electrical power max.: 0.245 kW

### Key Information:

Gross capacity: 670 lt  
 Door hinges: Right Side  
 External dimensions, Width: 710 mm  
 External dimensions, Depth: 835 mm  
 External dimensions, Depth with Doors Open: 1480 mm  
 External dimensions, Height: 2050 mm  
 Number and type of doors: 1 Glass  
 Number and type of grids (included): 3 - GN 2/1  
 Type of external material: 304 AISI  
 Type of internal material: 304 AISI  
 Internal panels material: 304 AISI  
 Number of positions & pitch: 44; 30 mm

### Refrigeration Data

Control type: Digital  
 Refrigeration power at evaporation temperature: -30 °C  
 Operating temperature min.: -20 °C  
 Operating temperature max.: -15 °C  
 Refrigeration type: R404A;R452A  
 Operating mode: Ventilated  
 Suggested refrigeration power: 590 W  
 Condition at evaporation temperature: -30 °C  
 Condition at condensation temperature: 55 °C  
 Condition at ambient temperature: 32 °C  
 Connection pipes (remote) - outlet: 9.5 mm  
 Connection pipes (remote) - inlet: 6 mm

\*Note: Ref. power calculated at a linear distance of 15 meters.

### ISO Certificates

ISO Standards: ISO 9001; ISO 14001; ISO 45001; ISO 50001